



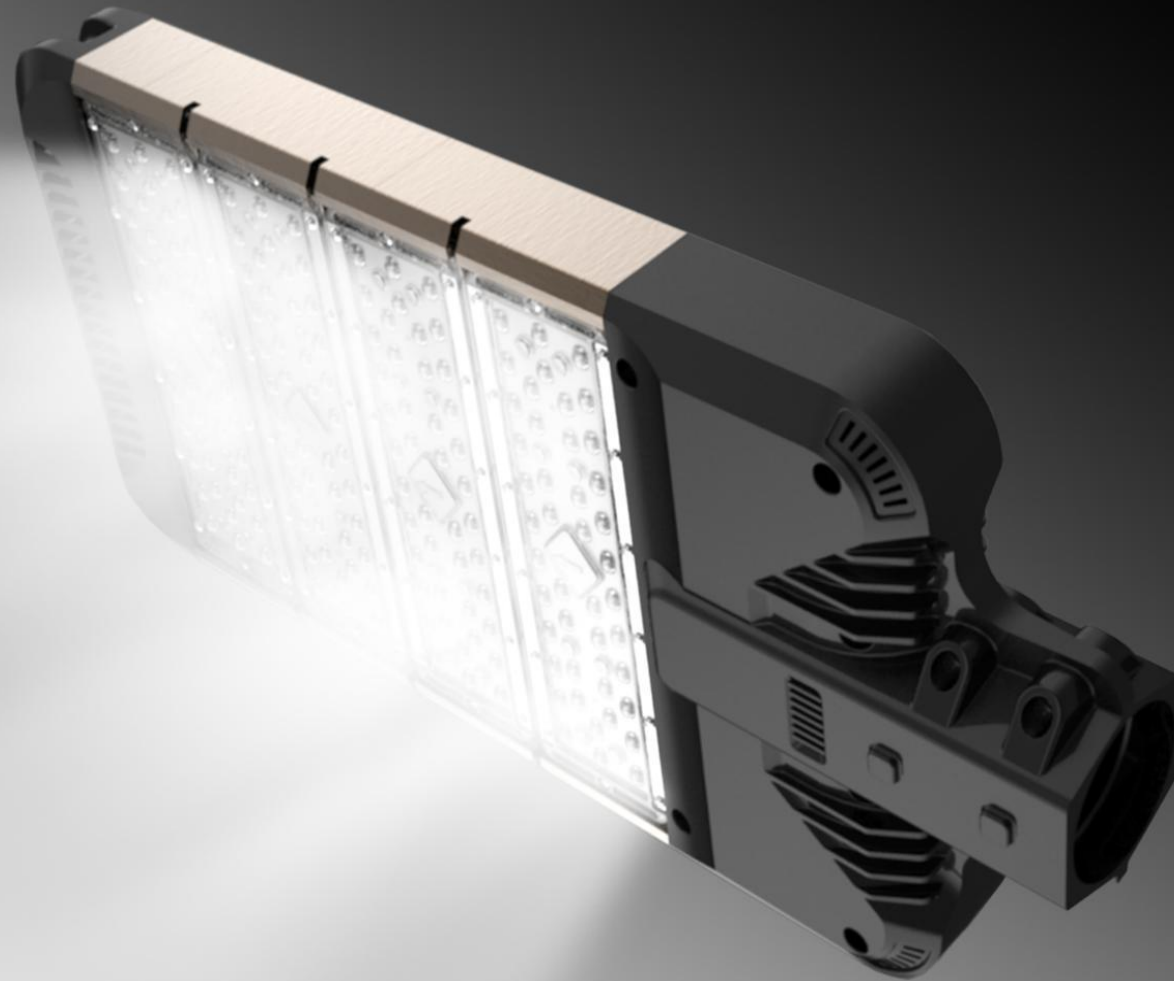
LED STREET LIGHT

2019

# I-Transformers



永欣照明  
FOREVER LIGHT



**MOSO**<sup>®</sup>





永欣照明  
FOREVER LIGHT



XL-SLN-50W

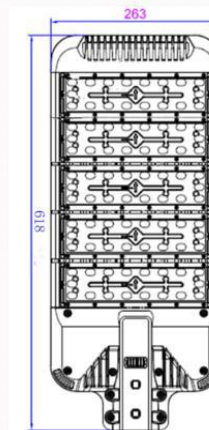
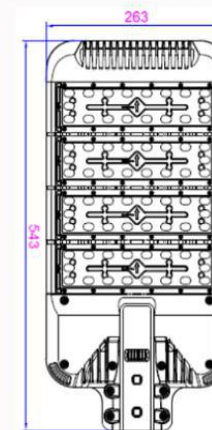
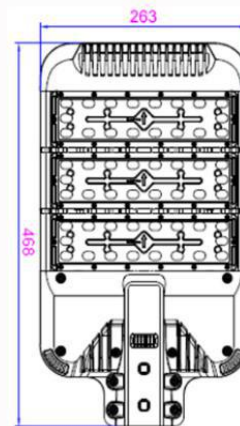
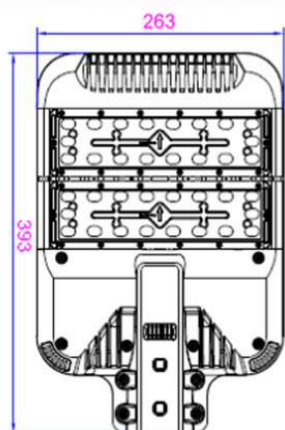
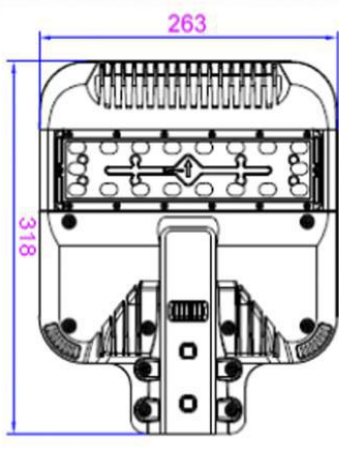
XL-SLN-80/100W

XL-SLN-120/150W

XL-SLN-200W

XL-SLN-240W

|                     |              |                       |                          |
|---------------------|--------------|-----------------------|--------------------------|
| Input Voltage       | AC90-305V    | Color Rendering Index | Ra>70                    |
| Frequency Range     | 50 ~ 60Hz    | THD                   | <20%                     |
| Power Factor        | >0.97        | Color Temperature     | 3000/4000/5000/5700K     |
| Power Efficiency    | >93%         | Working Temperature   | -30℃ ~ +45℃              |
| LED Working Voltage | DC42 ~ 48V   | Working Life-span     | >50000H                  |
| Luminous Efficiency | 120-130lm/ W | Power line            | VDE 3×1.0mm <sup>2</sup> |





永欣照明  
FOREVER LIGHT



MOSO



LUMILEDS 3030 LED - Integrated 64pcs lens

Beam Angles : 80° x 150° / 90° x 120° With American type II short standard for street optical lens.



PCB board

Heatsinking Features :

Patent module structure , bottom fin groove design with good air ventilation and LED heat dissipation , LED Tj < 75°C ; anti-dust and anti-water design , easy maintenance and suitable for outdoor environment.

## Products temperature table

| TA   | TC   | TS   | CH-Shell surface |
|------|------|------|------------------|
| 25°C | 73°C | 60°C | 52°C             |

# II-Area shoebox light



永欣照明  
FOREVER LIGHT



**MOSO**<sup>®</sup>



**LUMILEDS**



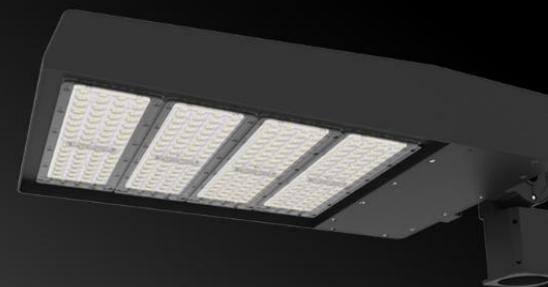
永欣照明  
FOREVER LIGHT



XL-XHD-75-100W

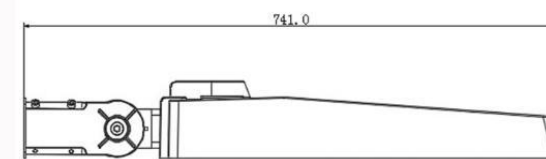
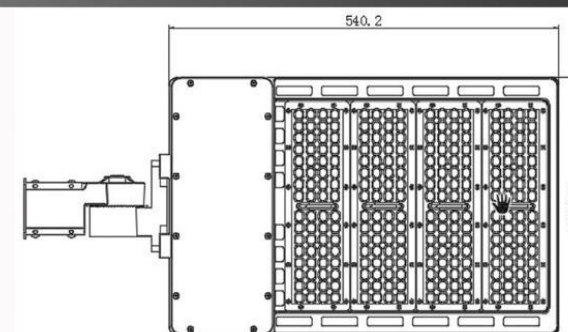
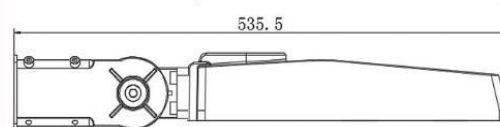
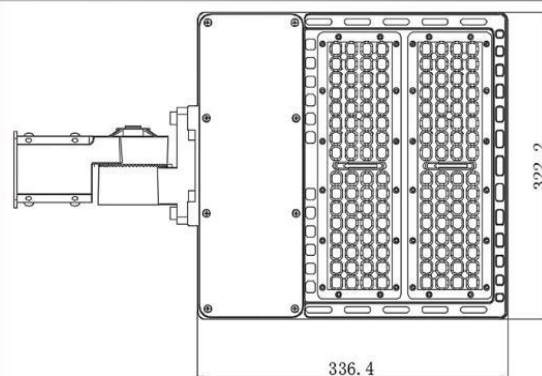
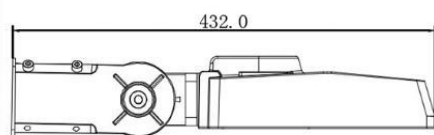
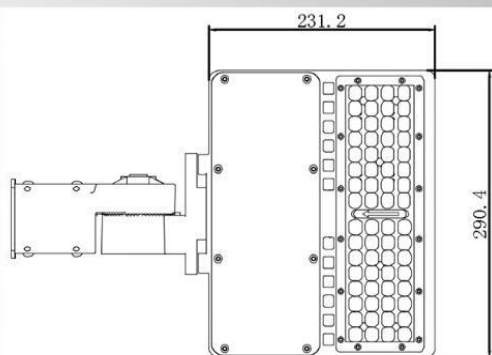


XL-XHD-150-200W



XL-XHD-300W

|                     |               |                       |                            |
|---------------------|---------------|-----------------------|----------------------------|
| Input Voltage       | AC90-305V     | Color Rendering Index | Ra>70                      |
| Frequency Range     | 50 ~ 60Hz     | THD                   | <20%                       |
| Power Factor        | >0.97         | Color Temperature     | 3000/4000/5000/5700K/6500K |
| Power Efficiency    | >93%          | Working Temperature   | -30°C ~ +45°C              |
| LED Working Voltage | DC48V         | Working Life-span     | >50000H                    |
| Luminous Efficiency | 120-130lm / W | Power line            | VDE 3×1.0mm <sup>2</sup>   |





永欣照明  
FOREVER LIGHT

Thicker Cast aluminum shell ( ADC12 )

High luminous efficiency with Lumileds 130lm/w

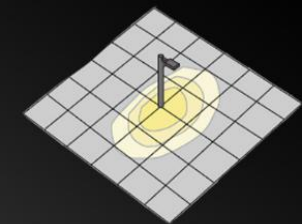
90% transmittance PC lens

2.0w/m.k thermal conductivity aluminum board

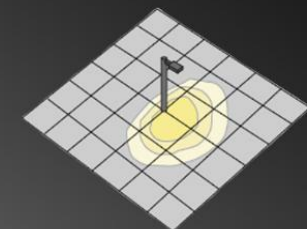
High pure silicon waterproof circle

IP65 waterproof driver box

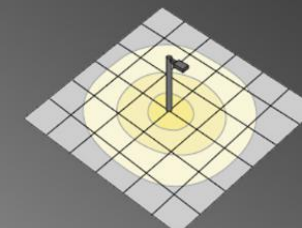
Adapter with four different installation ways



TYP II



TYP III



TYP VS

## Products temperature table

| TA   | TC   | TS   | CH-Shell surface |
|------|------|------|------------------|
| 25°C | 72°C | 75°C | 64°C             |

# III-Mini street light



永欣照明  
FOREVER LIGHT



**MOSO**<sup>®</sup>







永欣照明  
FOREVER LIGHT

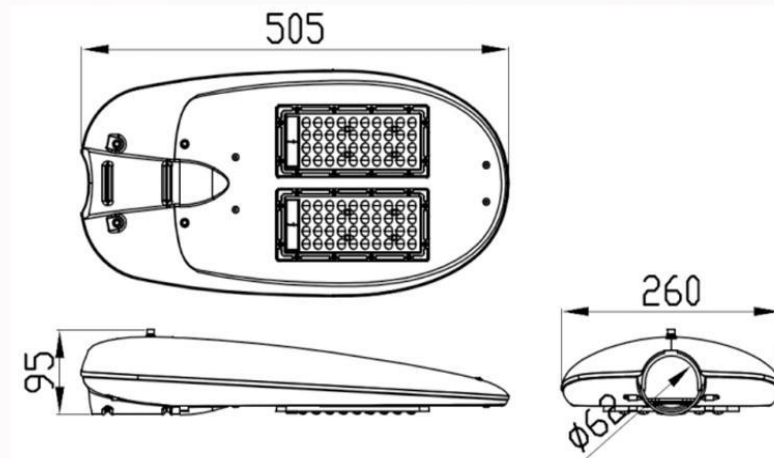
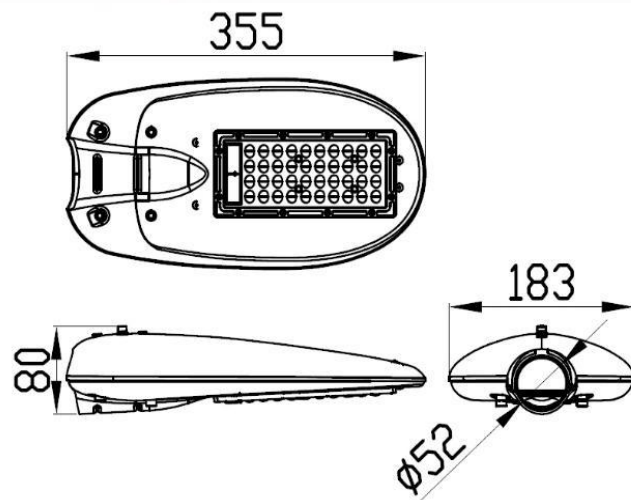


XL-MNS3030-30/40W



XL-MNS3030-50/60/75W

|                     |               |                       |                            |
|---------------------|---------------|-----------------------|----------------------------|
| Input Voltage       | AC90-305V     | Color Rendering Index | Ra>70                      |
| Frequency Range     | 50 ~ 60Hz     | THD                   | <20%                       |
| Power Factor        | >0.97         | Color Temperature     | 3000/4000/5000/5700K/6500K |
| Power Efficiency    | >93%          | Working Temperature   | -30°C ~ +45°C              |
| LED Working Voltage | DC48V         | Working Life-span     | >50000H                    |
| Luminous Efficiency | 110-120lm / W | Power line            | VDE 3×1.0mm <sup>2</sup>   |





永欣照明  
FOREVER LIGHT



MOSO



LUMILEDS 3030-40 unity lens, Angle :65\*135°

## Products temperature table

| TA   | TC   | TS   | CH-Shell surface |
|------|------|------|------------------|
| 25°C | 73°C | 58°C | 50°C             |

### Heatsinking Features :

Patented module structure design, using high-quality A1070 aluminum plate as the heat dissipation body, It has good heat conduction and heat dissipation performance, thus ensuring the service life of lamps and lanterns.

Dust and water free design, can reduce the pressure of cleaning and maintenance, suitable for outdoor environment.

# IV-Street Light 2019



永欣照明  
FOREVER LIGHT



**MOSO**<sup>®</sup>



**LUMILEDS**



永欣照明  
FOREVER LIGHT

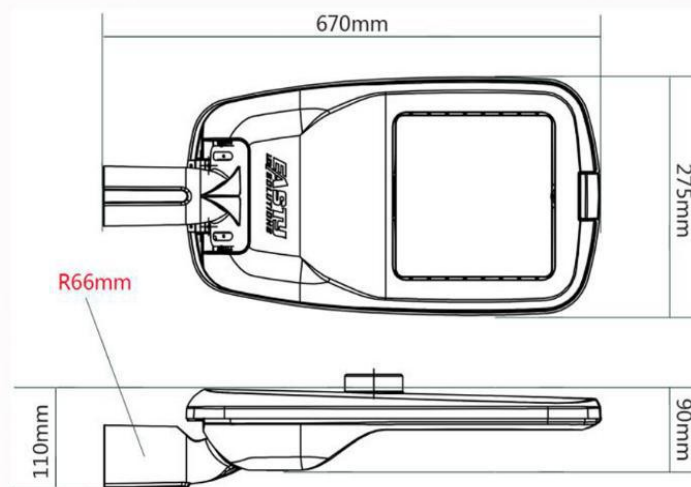
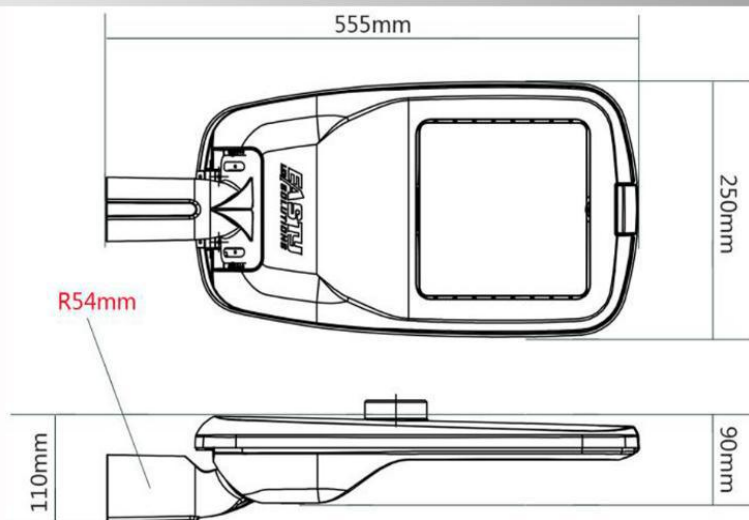


XL-SL2019-50/80/100W



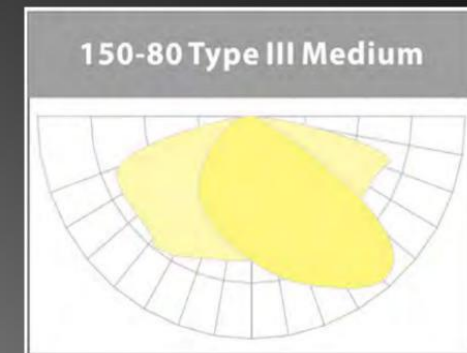
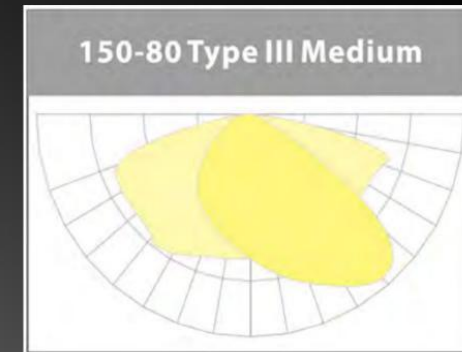
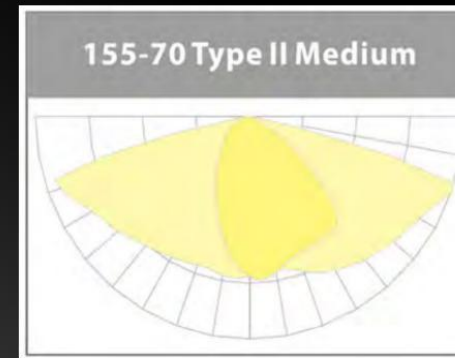
XL-SL2019-120/150W

|                     |               |                       |                            |
|---------------------|---------------|-----------------------|----------------------------|
| Input Voltage       | AC90-305V     | Color Rendering Index | Ra>70                      |
| Frequency Range     | 50 ~ 60Hz     | THD                   | <20%                       |
| Power Factor        | >0.97         | Color Temperature     | 3000/4000/5000/5700K/6500K |
| Power Efficiency    | >93%          | Working Temperature   | -30℃ ~ +45℃                |
| LED Working Voltage | DC48V         | Working Life-span     | >50000H                    |
| Luminous Efficiency | 120-130lm / W | Power line            | VDE 3×1.0mm <sup>2</sup>   |

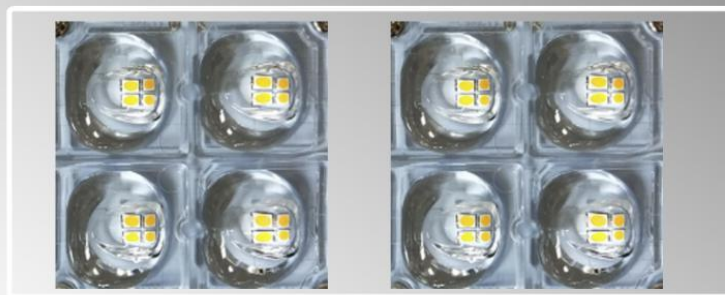




永欣照明  
FOREVER LIGHT



MOSO



LUMILEDS 3030-16 unity lens module,

Angle :75\*150°

Heatsinking Features:

Shell adopt ADC12 die-casting aluminum integral molding. Surface is sprayed with powder that have anti - UV property. Dust-free and water-free design can reduce the pressure of cleaning and maintenance.

## Products temperature table

| TA   | TC   | TS   | CH-Shell surface |
|------|------|------|------------------|
| 25°C | 74°C | 62°C | 55°C             |

# V-Street Light 2019B



永欣照明  
FOREVER LIGHT



**MOSO**<sup>®</sup>



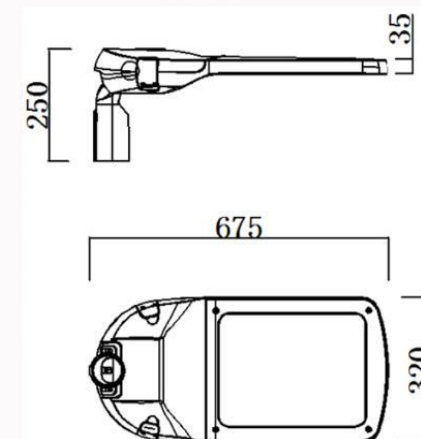
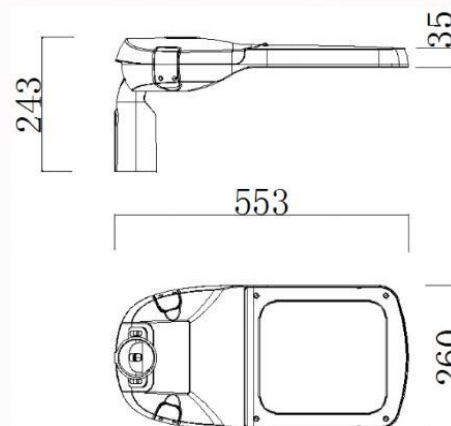
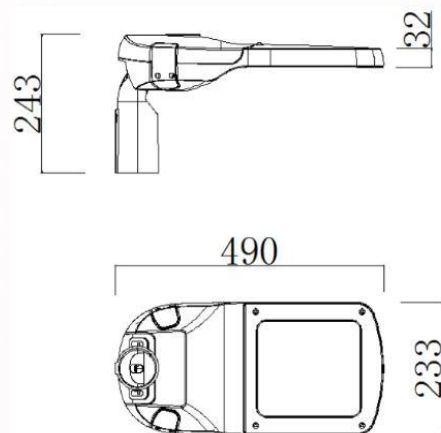
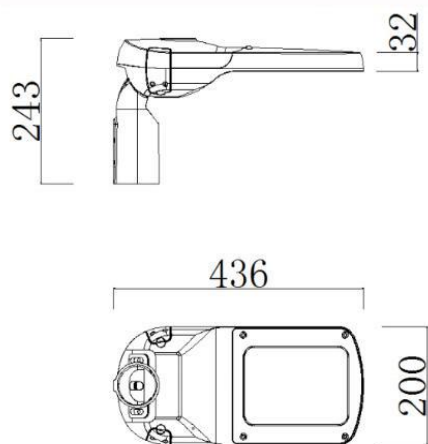


永欣照明  
FOREVER LIGHT



XL-SL2019B-50W XL-SL2019B-80/100W XL-SL2019B-120/150W XL-SL2019B-200W

|                     |               |                       |                            |
|---------------------|---------------|-----------------------|----------------------------|
| Input Voltage       | AC90-305V     | Color Rendering Index | Ra>70                      |
| Frequency Range     | 50 ~ 60Hz     | THD                   | <20%                       |
| Power Factor        | >0.97         | Color Temperature     | 3000/4000/5000/5700K/6500K |
| Power Efficiency    | >93%          | Working Temperature   | -30℃ ~ +45℃                |
| LED Working Voltage | DC48V         | Working Life-span     | >50000H                    |
| Luminous Efficiency | 120-130lm / W | Power line            | VDE 3×1.0mm <sup>2</sup>   |





永欣照明  
FOREVER LIGHT



MOSO



LUMILEDS 3030-16 unity lens module,  
Angle :155° \*80°



Heatsinking Features:

Shell adopt ADC12 die-casting aluminum integral molding. Surface is sprayed with powder that have anti - UV property. Dust-free and water-free design can reduce the pressure of cleaning and maintenance.

## Products temperature table

| TA   | TC   | TS   | CH-Shell surface |
|------|------|------|------------------|
| 25°C | 72°C | 61°C | 56°C             |



# VI-Street Light 2019C



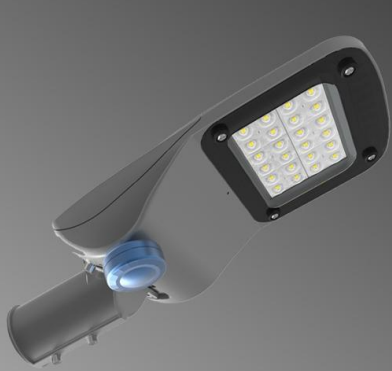
永欣照明  
FOREVER LIGHT



三安光电  
Sanan Optoelectronics



永欣照明  
FOREVER LIGHT



XL-SL2019C-50W

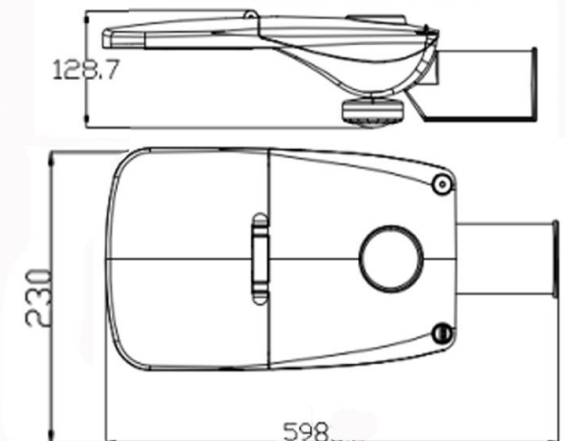
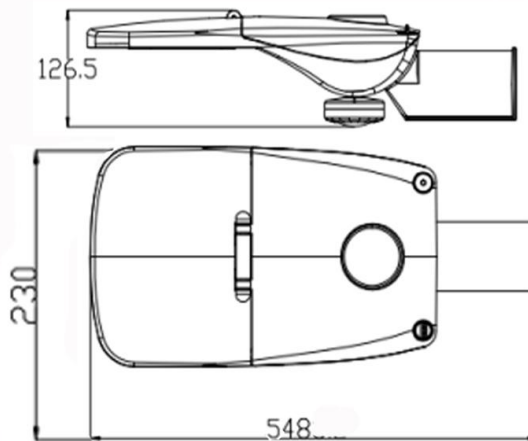
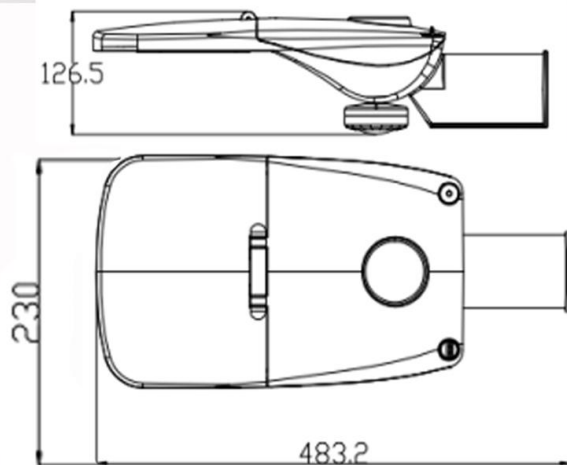


XL-SL2019C-80/100W



XL-SL2019C-120/150W

|                     |              |                       |                          |
|---------------------|--------------|-----------------------|--------------------------|
| Input Voltage       | AC90-305V    | Color Rendering Index | Ra>70                    |
| Frequency Range     | 50 ~ 60Hz    | THD                   | <20%                     |
| Power Factor        | >0.97        | Color Temperature     | 3000/4000/5000/5700K     |
| Power Efficiency    | >93%         | Working Temperature   | -30°C ~ +45°C            |
| LED Working Voltage | DC42 ~ 48V   | Working Life-span     | >50000H                  |
| Luminous Efficiency | 120-130lm/ W | Power line            | VDE 3×1.0mm <sup>2</sup> |





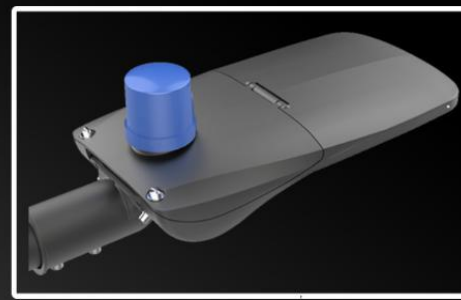
Adjustable inclination system



SOSEN



LUMILEDS 3030-24 unity lens module,  
Angle :Type II 、 Type III.



NEMA Interface Daylight Sensor



永欣照明  
FOREVER LIGHT



Motion detector



Unique screw design



Features:

The lamp shell is made of die - casting aluminum Unique screw design for back driver box, more convenient maintenance; Dust and water free design, can reduce the cleaning dimension Protect pressure, suitable for outdoor environment.

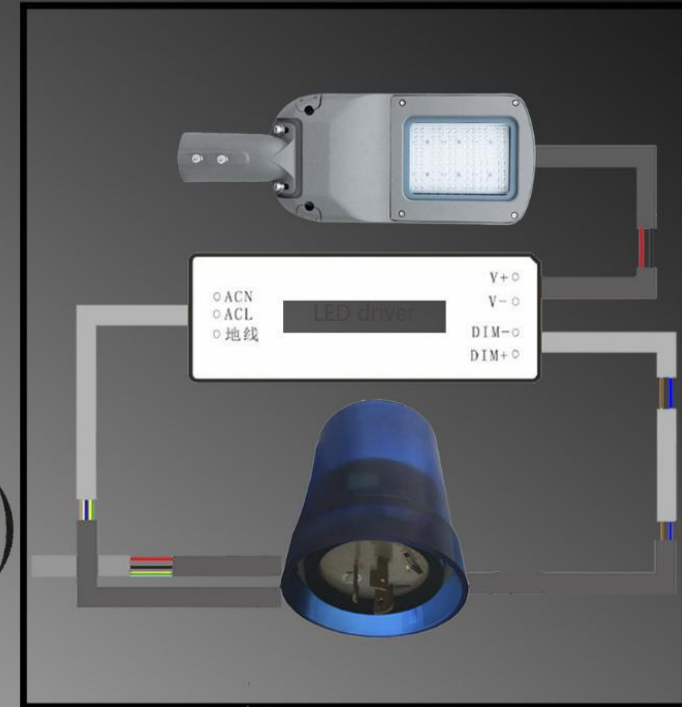
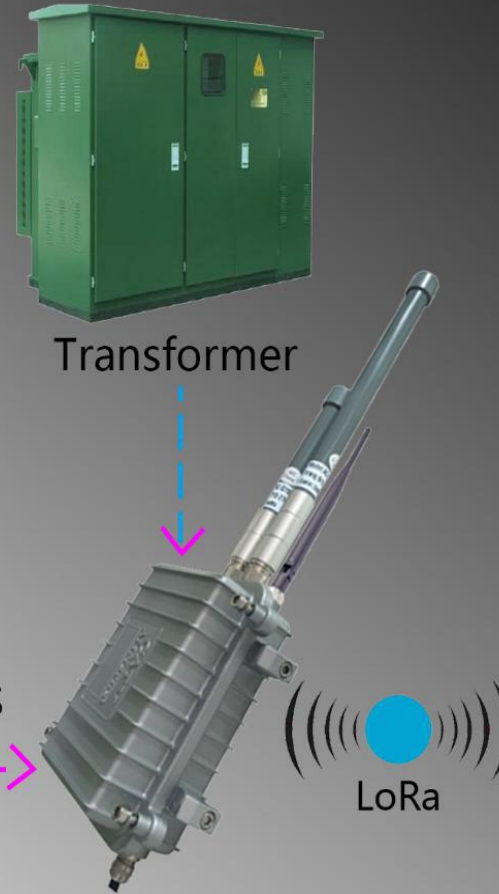
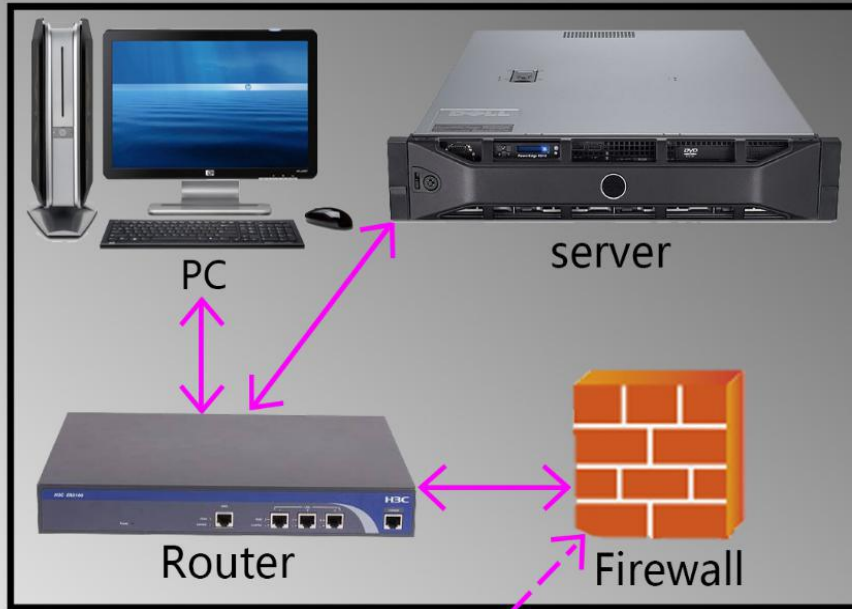
## Products temperature table

| TA   | TC   | TS   | CH-Shell surface |
|------|------|------|------------------|
| 25°C | 73°C | 67°C | 60°C             |

# LORA CONTROL SYSTEM BLOCK DIAGRAM



永欣照明  
FOREVER LIGHT



Remote Multi-user Terminal

Integrated Controller

Single-light Control System

- Function :
- 1.Intelligent dimming
  - 2.Data collection
  - 3.Alert processing
  - 4.Map guidance
  - 5.Load control
  - 6.Report function
  - 7.Remote control and Searching